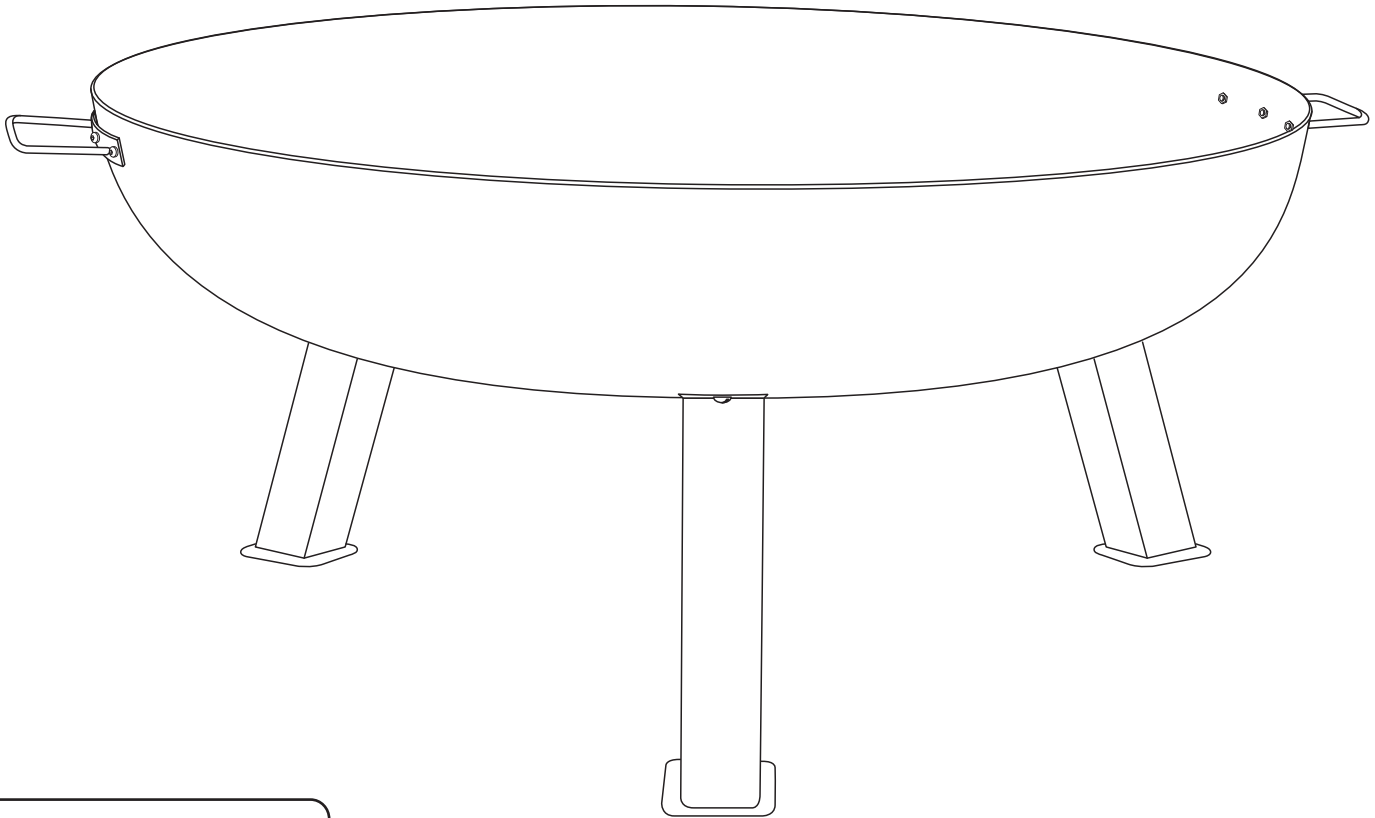



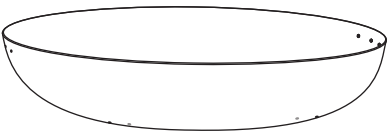
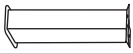
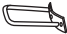



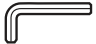
RUSTIC CAST IRON FIRE PIT BOWL

RCM-1451

Read all assembly and care instructions carefully before using this product. Save this manual for future reference.
Assemble components on a soft surface to avoid damaging the finish.



 Inspect packaging to ensure all parts are accounted for before disposing of packing materials.

No.	PARTS		QTY.
A		Fire Bowl	1
B		Leg	3
C		Handle	2
D		M6x12mm Bolt	12
E		Washer	12
F		Nut	12
G		Hex Key	1

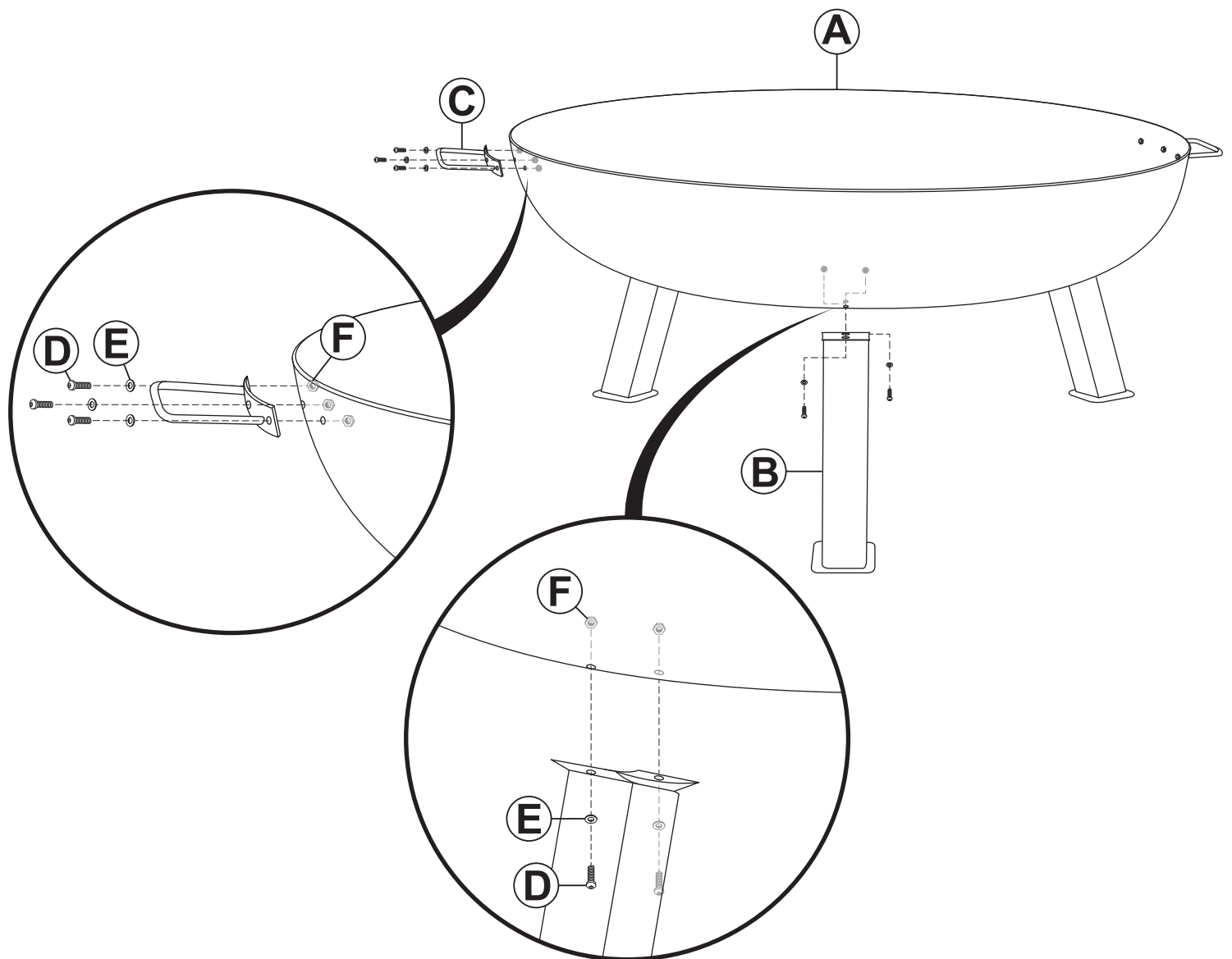
RECOMMENDED TOOLS (not included)
 10mm Wrench



**SCAN THIS CODE
WITH A SMARTPHONE
TO VIEW OUR
ASSEMBLY VIDEO**

⚠ WARNING!
CHOKING HAZARD — This item contains small parts that can be swallowed. Keep children and pets away during assembly.

ASSEMBLY



Secure one Handle (C) with the mounting holes on the side of Fire Bowl (A) and firmly secure using three Bolts (D), three Washers (E) and three Nuts (F). Repeat to secure the remaining handle.

Align one Leg (B) with the mounting holes on the bottom of Fire Bowl (A) and firmly secure using two Bolts (D), two Washers (E) and two Nuts (F). Repeat to secure the remaining two legs.

CARE & MAINTENANCE

SAFE USE: Always use fire pits on a flat, non-combustible surface such as concrete, rock, or stone. Avoid using near or under overhanging trees and shrubs.

The fire pit will become extremely hot while in use. Always use the fire-resistant gloves and long-handled tools while maintaining fires.

NO PLASTICS: Never use any plastic materials in or near a fire pit. The emissions from burning plastic are toxic. Additionally, plastic residue is very difficult to remove.

EXTINGUISH: Let fires gradually die down and go out on their own. If necessary, use sand to extinguish the fire.

EXPOSURE & MAINTENANCE: Although the fire pit is constructed from durable cast iron, exposure to high-intensity heat and humidity in the air will gradually affect the appearance and integrity of the unit.

Do not allow ash to accumulate in the bottom of the pit. Do not allow water to collect in the fire bowl. Never drop the fire pit as doing so could cause permanent damage.

CLEANING: Remove and dispose of ashes and debris after they have completely cooled from the firebowl before every use.

COVER AND STORE: Ensure the fire pit is completely cool before covering (cover not included). Always clean the fire pit before covering. Do not allow the fire pit to be exposed to water. The manufacturer is not liable for damage resulting from general use and/or environmental conditions. Store in a dry location; this will protect it from the effects of weather elements.

WARNING: THE ONE-YEAR WARRANTY DOES NOT COVER DAMAGES OR DEFECTS CAUSED BY THE APPLICATION OF CHEMICAL TREATMENTS, PROTECTIVE COATINGS, TOUCH-UP PAINT, OR CLEANING PRODUCTS.

SAFETY STATEMENTS & WARNINGS

- For outdoor use only. Never use this product in an enclosed area.
- Always follow local laws and regulations when using wood-burning fire pits.
- Exercise the same care and precautions as you would with an open fire.
- Keep unit a safe distance away from buildings, balconies, or overhangs when in use. Do not use on or near combustible surfaces or structures such as wood decks, dry leaves or grass, mulch, vinyl or wood siding, etc.
- Keep away from all combustible materials including gasoline and other flammable liquids and vapors.
- Never use accelerants such as, but not limited to, gasoline, alcohol, paint thinners, kerosene, as this may cause damage or serious injury.
- The fire pit becomes very hot when in use. Ensure the unit is completely cool before cleaning, moving or covering.
- Always supervise children and pets when the fire pit is in use.
- Do not overfill or use this unit to burn leaves or trash.
- Avoid using any fire pit during dry or windy conditions.
- Never leave unit unattended while hot or in use.
- Do not use chemical-based cleaners as this may damage the product and/or ignite a flame during the next use.
- Extinguish the fire properly before leaving the unit unattended. If necessary, use a fire extinguisher or sand to smother the fire. NEVER use water to extinguish hot fires or embers as doing so may cause serious injury and/or permanently damage the product.
- Always ensure the unit is completely cool before moving or covering.

Contact your local authorities regarding possible burn restrictions before using this product.

Any modification to the product or failure to follow recommended care will void the product warranty.

If you experience issues with assembly or the product was damaged during transit, please contact our customer service team through one of the methods mentioned at the top of page 1.

Please have the item number and order information ready to expedite response time.

WARNING!

Manufacturer and seller expressly disclaim any and all liability from personal injury, property damage or loss, whether direct or indirect, or incidental, resulting from the incorrect attachment, improper use, inadequate maintenance, or neglect of this product.