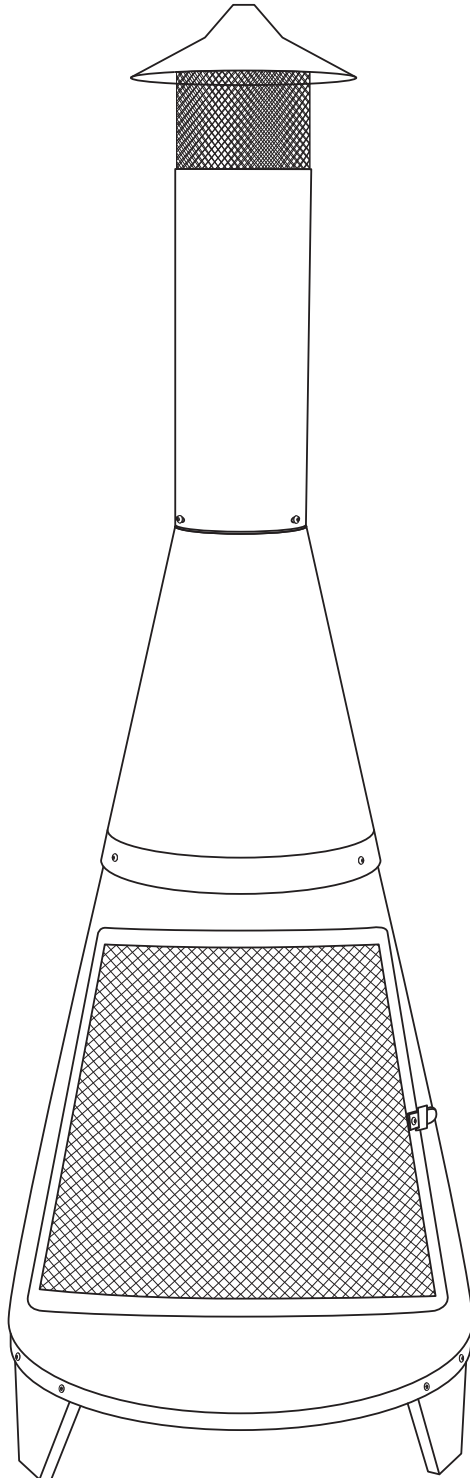



RUSTIC CHIMINEA WITH RAIN CAP

RCM-1521

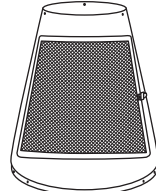




Review all assembly and care information before using this product. Save this manual for future reference.
Assemble components on a soft, clean surface to avoid damaging the finish.





Inspect packaging to ensure all parts are accounted for before disposing of packing materials.



CAUTION:
 Sharp edges.
 Wear gloves during assembly.

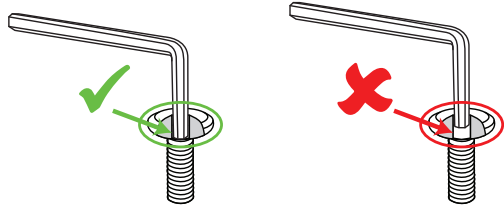
No.	PARTS	QTY.
A	 Main Body	1
B	 Flue Base	1
C	 Flue	1
D	 Leg	3
E	 M6x12mm Bolt	12

INCLUDED TOOLS	
	Hex Key

! WARNING !
CHOKING HAZARD — This item contains small parts that can be swallowed. Keep children and pets away during assembly.



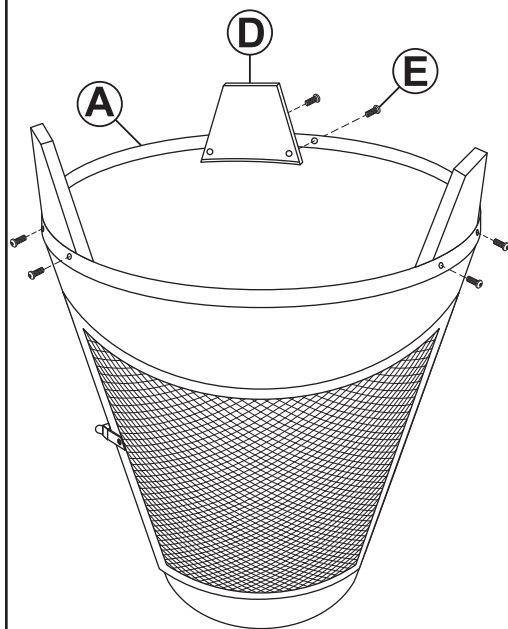
ASSEMBLY



TIP: Always fully insert the hex key inside designated notch of the bolt. If the hex key is not fully inside the notch, the hex key could slip out, causing damage to the bolt head. Repeated hex key slipping will cause the notch to become rounded, making it difficult or impossible to tighten the bolt with the hex key.

STEP 1

A: 1
D: 3
E: 6

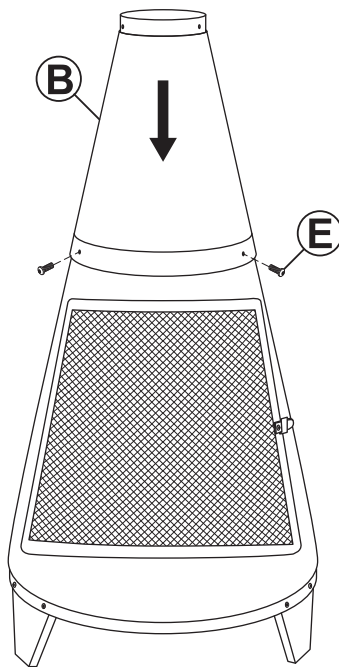


Place Main Body (A) upside down.

Secure Leg (D) to the inside of the main body using two Bolts (E). Repeat to secure the remaining two legs.

STEP 2

B: 1
E: 3

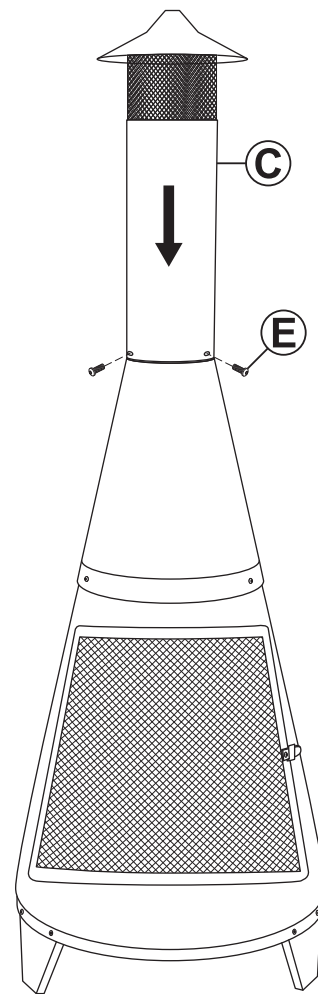


Flip unit upright and place Flue Base (B) onto the main body.

Align the mounting holes and secure using three Bolts (E).

STEP 3

C: 1
E: 3



Place Flue (C) onto the flue base and firmly secure using three Bolts (E).

CARE & MAINTENANCE

SAFE USE: Only use a chiminea on a flat, non-combustible surface such as concrete, rock, or stone. Avoid using near or under overhanging trees and shrubs.

The unit will become extremely hot while in use. Always use heat-resistant gloves and tools when maintaining a fire.

NO PLASTICS: Never use any plastic materials in or near a fire. The emissions from burning plastic are toxic. Additionally, plastic residue is very difficult to remove.

EXTINGUISH: Let fires die down gradually and go out on their own. If necessary, use sand to extinguish the fire.

EXPOSURE & MAINTENANCE: Although the fire pit is constructed from durable metal, exposure to high-intensity heat and humidity in the air will gradually affect the appearance and integrity of the unit.

Do not allow ash to accumulate in the bottom of the pit. Never drop the unit as doing so could cause permanent damage.

CLEANING: Remove and dispose of ashes and debris after they have completely cooled from the chiminea before every use.

COVER AND STORE: Ensure the entire unit is completely cool before covering. Always clean the unit before covering it. Do not allow the fire pit to be exposed to water. Water and moisture trapped beneath a cover and/or splashing from beneath the unit during rain will accelerate rust and degradation. Store in a dry location to protect it from the effects of environmental elements. Manufacturer is not liable for damage resulting from general use and/or environmental conditions.

WARNING: THE ONE-YEAR WARRANTY DOES NOT COVER DAMAGES OR DEFECTS CAUSED BY THE APPLICATION OF CHEMICAL TREATMENTS, PROTECTIVE COATINGS, TOUCH-UP PAINT, OR CLEANING PRODUCTS.

SAFETY STATEMENTS & WARNINGS

- For outdoor use only. Never use this product in an enclosed area.
- Always follow local laws and regulations when using wood-burning fire pits and chimineas.
- Exercise the same care and precautions as you would with an open fire.
- Always supervise children and pets when they are in proximity of this product, whether it is in use or not in use.
- Never use any fire pit or chiminea during dry or windy conditions.
- Keep unit a safe distance away from buildings, balconies, or overhangs when in use. Do not use on or near combustible surfaces or structures such as wood decks, dry leaves or grass, mulch, vinyl or wood siding, etc.
- Keep away from all combustible materials including gasoline and other flammable liquids and vapors.
- Never use accelerants such as, but not limited to, gasoline, alcohol, kerosene, as this may cause serious injury or product damage.
- Do not overfill or use this unit or use it to burn leaves or trash.
- This unit becomes very hot when in use and can remain hot for a long time after fire is extinguished. Ensure the unit is completely cool before cleaning, moving or covering. Failure to do so will damage the cover and unit.
- Never leave unit unattended while hot or in use.
- Do not use chemical-based cleaners as this may damage the product and/or ignite a flame during the next use.
- Extinguish the fire properly before leaving the unit unattended. If necessary, use a fire extinguisher or sand to smother the fire. NEVER use water to extinguish hot fires or embers as doing so may cause serious injury and/or permanently damage the product.

Contact the local authorities regarding possible burn restrictions before using this product.

Any modification to the product or failure to follow recommended care will void the product warranty.

If you experience issues with assembly or the product was damaged during transit, please contact our customer service team through one of the methods mentioned at the top of page 1. Please have the item number and order information ready to expedite response time.

WARNING:

Manufacturer and seller expressly disclaim any and all liability from personal injury, property damage or loss, whether direct or indirect, or incidental, resulting from the incorrect attachment, improper use, inadequate maintenance, or neglect of this product.