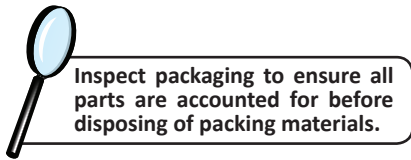
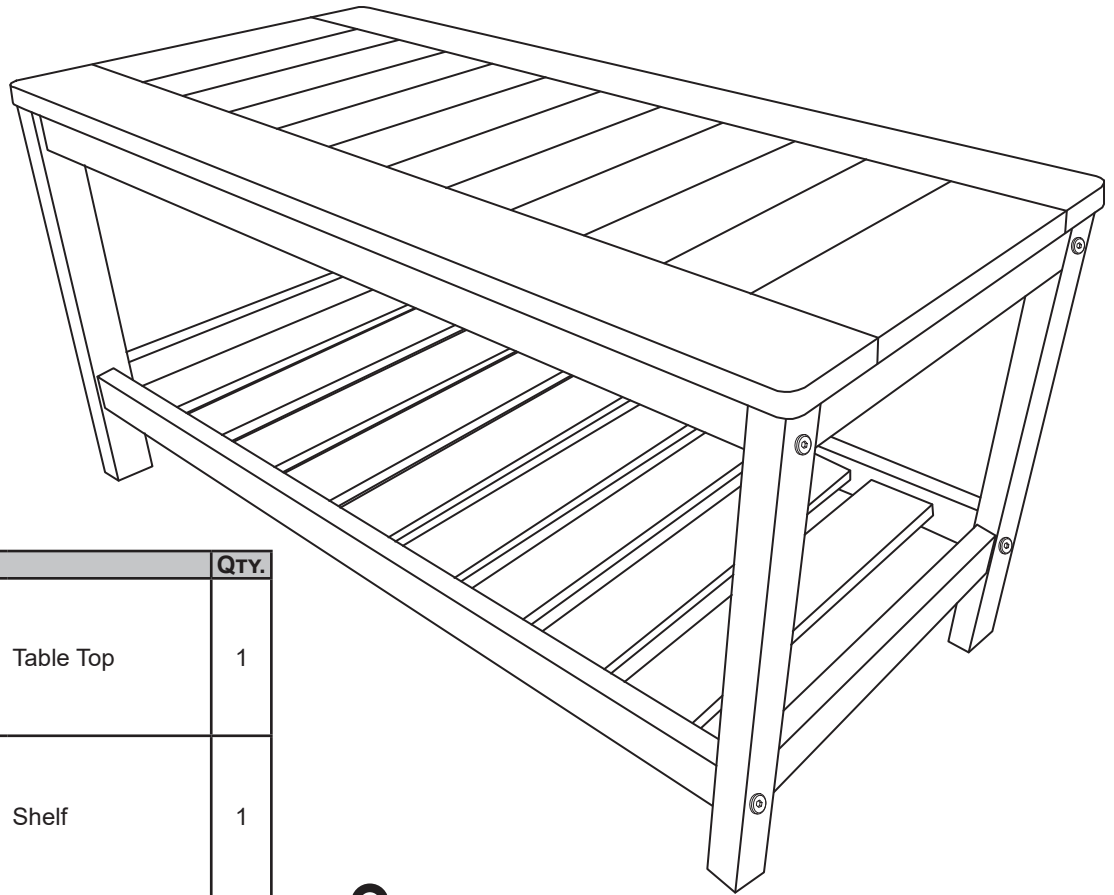
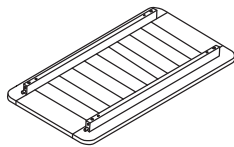
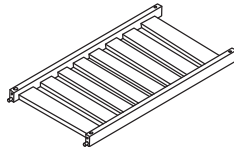
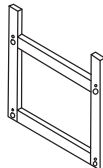
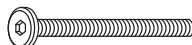

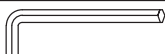
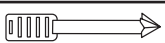


OUTDOOR COFFEE TABLE WITH SHELF

LAM-443

Read all assembly and care instructions carefully before using this product. Save this manual for future reference.
Assemble components on a soft, clean surface to avoid damaging the finish.



No.	PARTS		QTY.
A		Table Top	1
B		Shelf	1
C		End Panel	2
D		JCBC 60mm Bolt	8
E		Barrel Nut	8
F		Hex Key	1
G		Barrel Nut Driver	1

65
pounds
29.5 kg
Weight Capacity

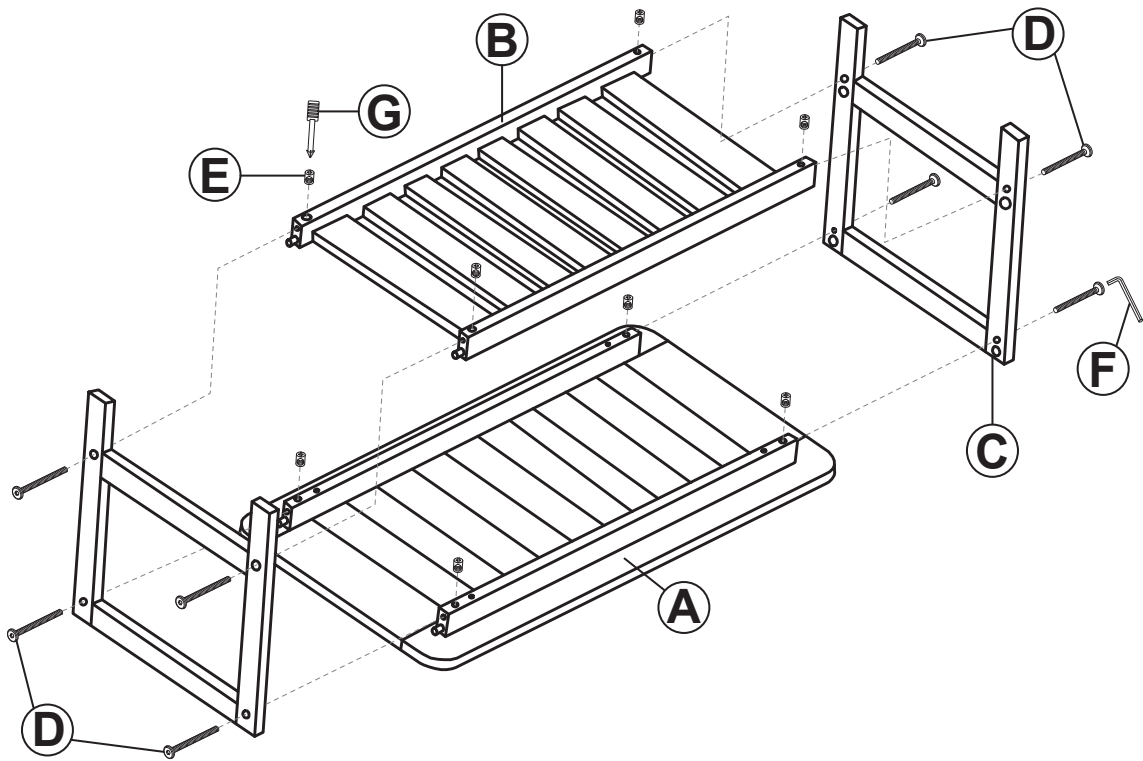
NOTE: Over time, the bolts may become loose.
 Save the included tools for tightening loosened hardware.

⚠ WARNING ⚠

CHOKING HAZARD — This item contains small parts that can be swallowed. Keep children and pets away during assembly.

⚠ WARNING:

Manufacturer and seller expressly disclaim any and all liability from personal injury, property damage or loss, whether direct or indirect, or incidental, resulting from the incorrect attachment, improper use, inadequate maintenance, or neglect of this product.



ASSEMBLY

NOTE: Do not fully tighten hardware until all components have been loosely assembled.

1. Lay Table Top (A) and Shelf (B) face-down on a clean, soft surface.
2. With the slotted end facing upward, place four Barrel Nut (E) into the underside of the table top. Use Barrel Nut Driver (G) to turn the barrel nut so the threaded hole aligns with the pre-drilled hole. Repeat this step with Shelf (B).
3. Align the Leg Panel (C) with Table Top (A) and loosely secure by hand-tightening two JCBC 60mm Bolt (D), as shown. Repeat this step on the opposite side of the table.
4. Align Shelf (B) between the leg panels and secure by hand-tightening four JCBC 60mm Bolt (D).
5. Tighten all bolts using Hex Key (F).

Care & Maintenance

SAFE USE: Only use on a flat, level surface. Never sit or climb on the table. Do not exceed weight capacity.

INSPECT: Periodically check assembly points and tighten fittings as necessary.

CLEANING: Following the woodgrain, wipe with a soft cloth to remove dust, dirt, and debris. Do not use chemicals or abrasive materials as they will damage the wood.

STORAGE: Maintain the appearance and prevent damage by storing this item indoors when not in use.

Wood expands when wet and contracts when it dries. Therefore, repeated and excessive exposure to moisture, rain, and snow can damage the product. The resulting damage includes, but is not limited to, assembly points becoming loose, wood cracking, mold and mildew growth, and hardware rust.

MAINTENANCE: If left untreated, the wood will weather. To maintain the appearance, apply a suitable penetrating wood oil (not included) at least once per year or when the wood looks particularly dry. Before applying a suitable wood oil, clean the unit and bring it into a dry, warm, indoor location. Allow the unit to dry thoroughly before applying oil; drying may take several days. Only apply oil to wooden surfaces. Apply oil as directed by the wood oil manufacturer.

WARNING: THE ONE-YEAR WARRANTY DOES NOT COVER DAMAGES OR DEFECTS CAUSED BY THE USE OF PROTECTIVE COATINGS OR CHEMICAL TREATMENTS.

Any modification to the product or failure to follow recommended care will void the product warranty.