



Thank you for choosing Sunnydaze Décor. If you have any questions, comments or concerns please feel free to contact us by phone at: 888-881-4668, by email: customerservice@serenityhealth.com, or you could also email us via our contact us page at: www.serenityhealth.com/contact-us/.

We stand behind our brand and the quality of the items we sell. We will send new parts, or replace products at our discretion within the one year warranty period. Before we can help, you will need to provide proof of purchase with the date of purchase and photos of the defective merchandise. We will use the photos to determine the cause of defect and for future quality control.



10Ft Offset Umbrella with Solar LED Light

Assembly & User Guide

IMPORTANT : RETAIN FOR FUTURE REFERENCE

Before you start...

- The parasol you have purchased is constructed from high quality steel for strength and durability and has been treated with a two stage corrosion resistant finishing process. The first stage is a durable undercoat covering all surfaces and the second stage provides a hardwearing top coat. Even though a two stage process has been applied steel is still prone to some corrosion over time or if damaged, particularly if you intend to leave the furniture exposed to adverse weather for periods of time. For details of how you can minimise the chance of this occurring please see our 'How to....look after your furniture' section.
- This parasol requires the use of 4 parasol base weights or similar items, such as paving slabs, for stability. Minimum total weight limit 54Kg (120lbs.)
- We suggest you spend some time reading this guide before following the simple step-by-step assembly instructions.
- Do not discard any of the packaging until you have checked that you have all parts and fittings listed. When discarding packaging take care and consideration for others and the environment.
- When assembling this parasol be aware of the safety of yourself and others.
- Because of the size of this parasol we suggest that you assemble it in the area intended for use.
- Some of the assembly will be easier with two people. Seek assistance when lifting large or heavy items.
- Assemble this parasol on a clean, flat and level surface e.g. the cardboard packaging.
- Keep any tools provided or spare fittings for future use. Only use the tools specified.
- Assemble all parts loosely, by hand, before tightening any bolts or fixings.
- Solar Panel collects energy from the sun to charge the batteries inside the light. When batteries are charged. pulling the switch to turn it on.
MAXIMUM SUN LIGHT EACH DAY to fully charge the batteries.

Battery Replacment

Step 1 : Remove the cover by undoing the small screws whith a head screw driver and place to one side.

Step 2 : Remove the exhausted battery, insert three new rechargeable batteries. (Battery specification: 1.2V AA NI-MH battery)

Step 3 : Take care during this process to ensure wireing and electronics are not damaged.

Step 4 : Replace the enclosure accordinly.

WARNING:

- Keep plastic bags away from children or animals.
- Keep fittings and small parts out of reach of children and animals.
- Do not place components directly onto patios or other abrasive surfaces where they may become damaged.
- Do not use power tools such as drills, as this may damage the frame or fittings.
- Do not use parasol if any parts are missing or broken.
- Do not use parasol until all the bolts and fixings are tight. Do not over tighten.
- Do not modify or alter the parasol in anyway.
- Do not climb or stand on any part of the parasol or allow children to play on or around the parasol.
- Please ensure that any visitors that use the parasol are aware of its correct use and operation.
- Do not use your parasol in windy conditions or thunder storms.
- Do not leave your parasol in the raised position whilst unattended.
- This parasol does not provide complete protection from the sun / UV light.

How to ... use your parasol

- Always use on a firm, flat and level surface.
- Always ensure that the parasol is erected in its intended position and that any locking mechanisms are engaged prior to use.
- This parasol is designed for private and domestic use only e.g. around the home and garden. This furniture is not designed or intended for commercial use e.g. pubs, restaurants or hotels etc.
- Take care when using the parasol near other products such as barbecues, candles, lanterns or heaters.
- Care must be taken when opening or closing the parasol to ensure that you do not trap or pinch your fingers or clothing.
- Always ensure that the parasol base is securely fixed or weighted down prior to use.

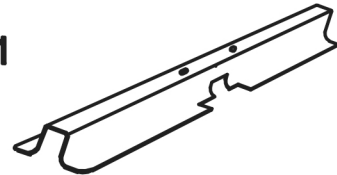
How to ... assemble your parasol

You should have...

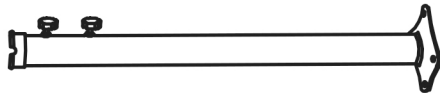
Ⓐ X1



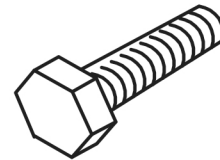
Ⓑ X1



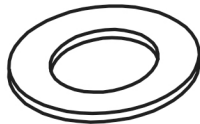
Ⓒ X1



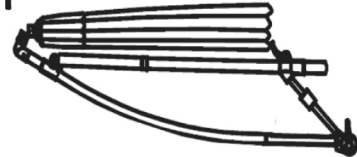
Ⓓ X4



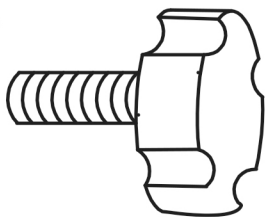
Ⓔ X4



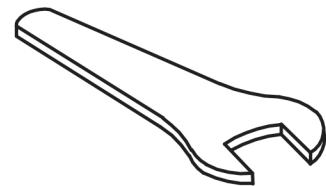
Ⓕ X1



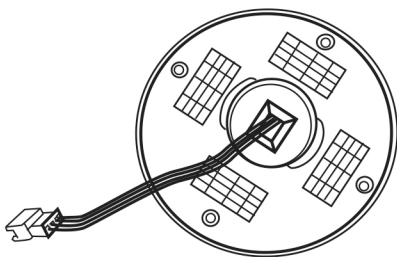
Ⓖ X2



Ⓖ X1

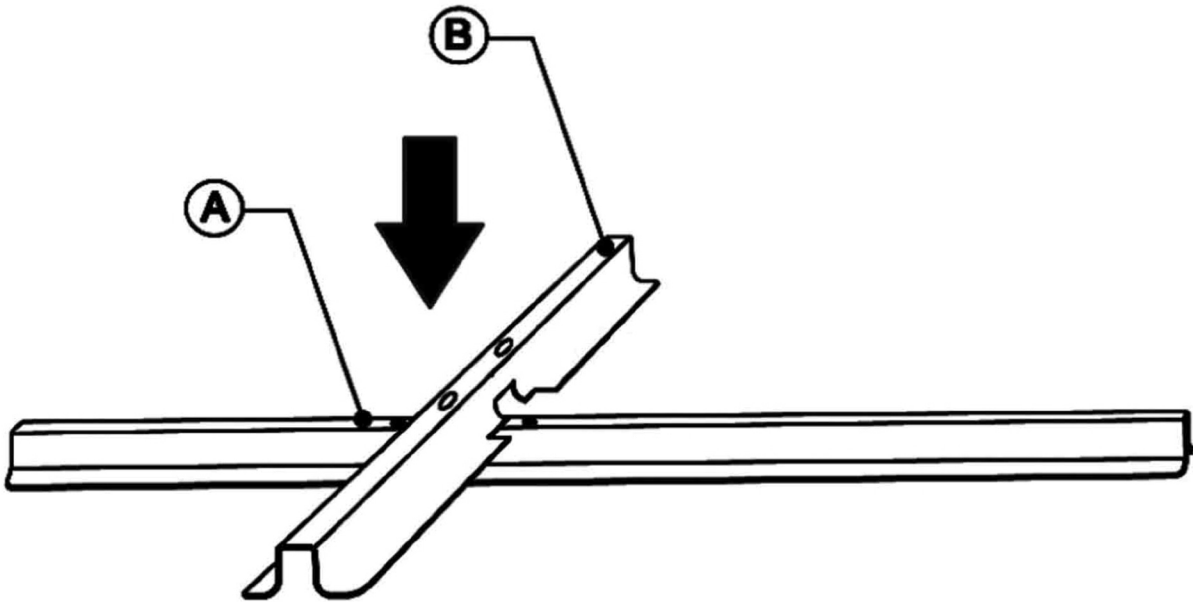


Ⓘ



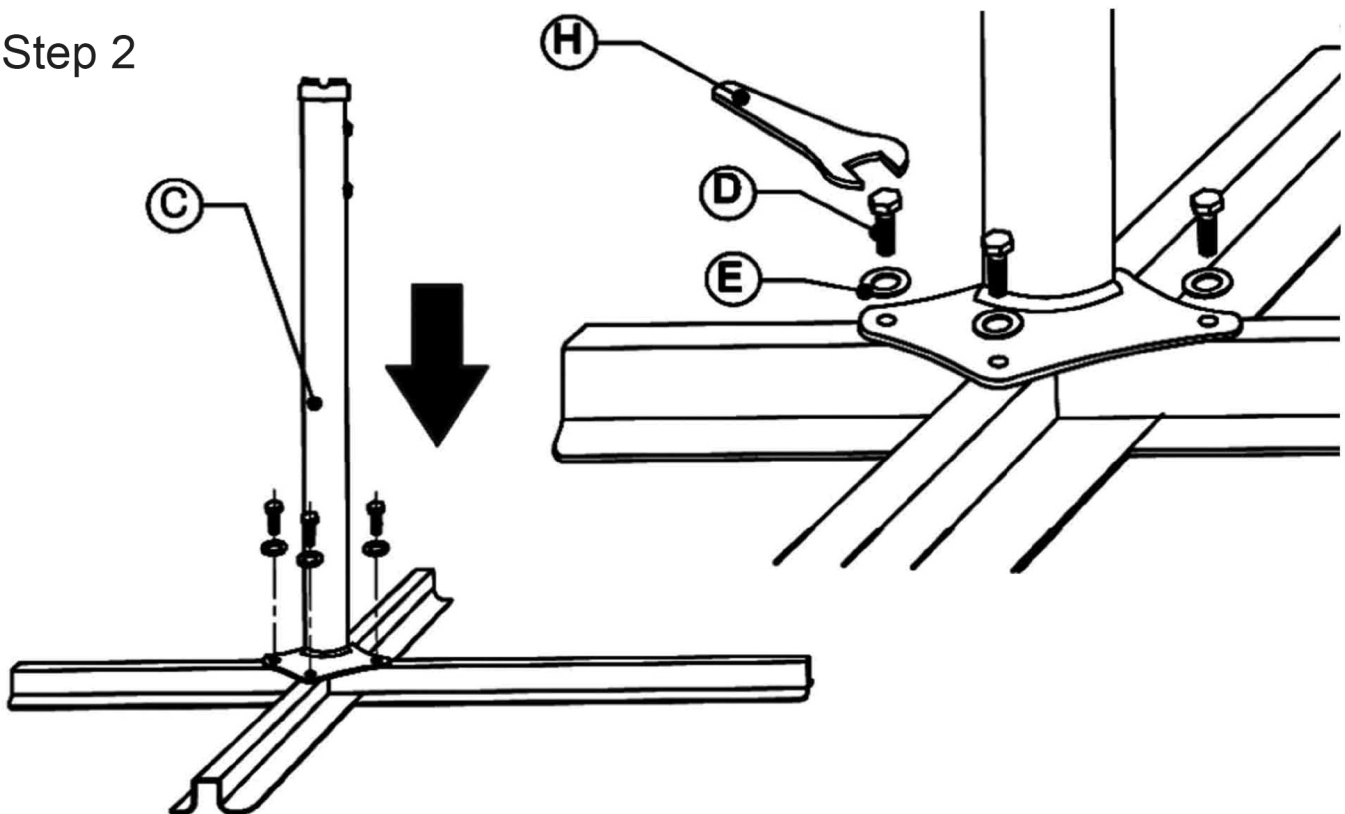
Assemble your parasol

Step 1



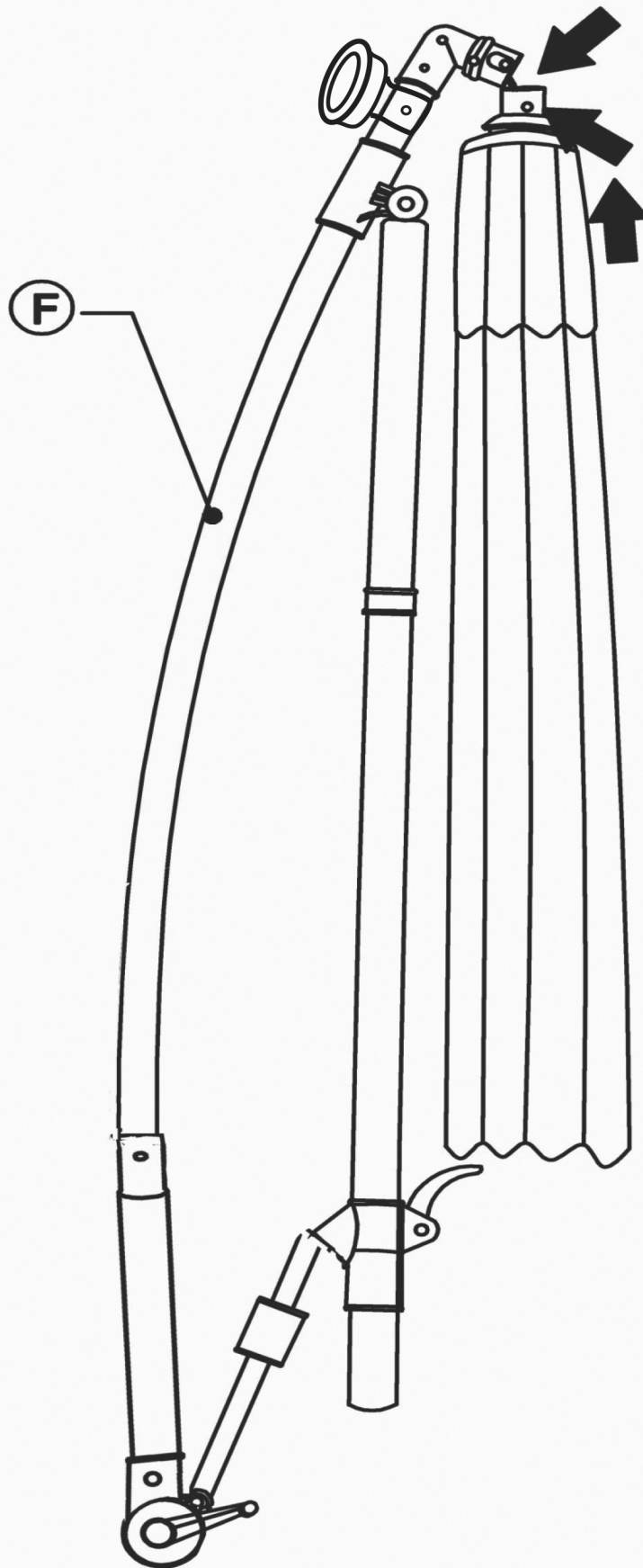
- Slot the two feet (A & B) together as shown in the diagram above.

Step 2



- Attach the base stand (C) to the feet using four bolts (D) and four washers (E). Tighten the bolts into the feet using the spanner (H) provided.

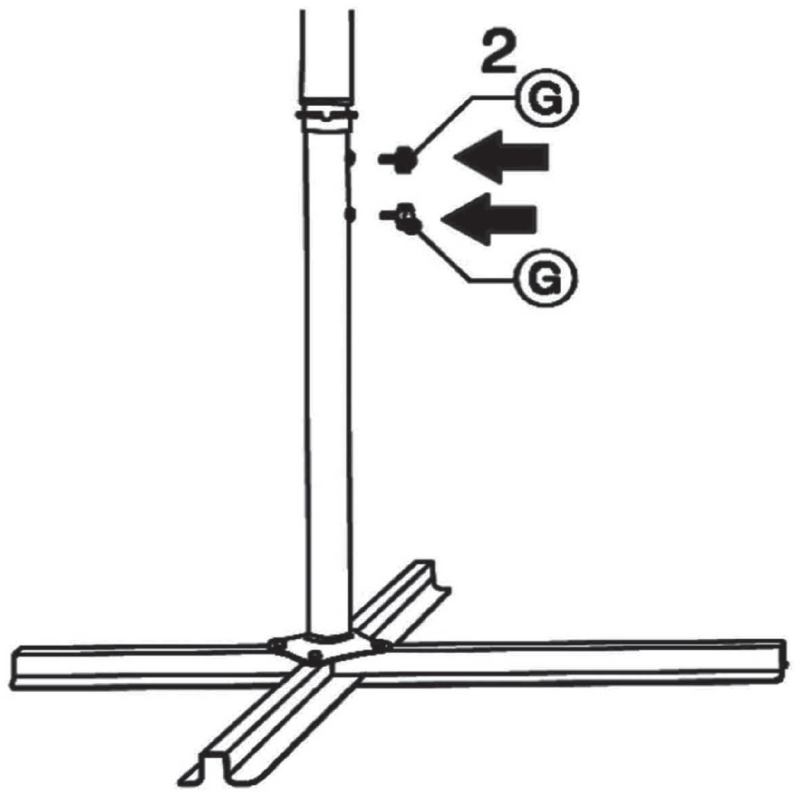
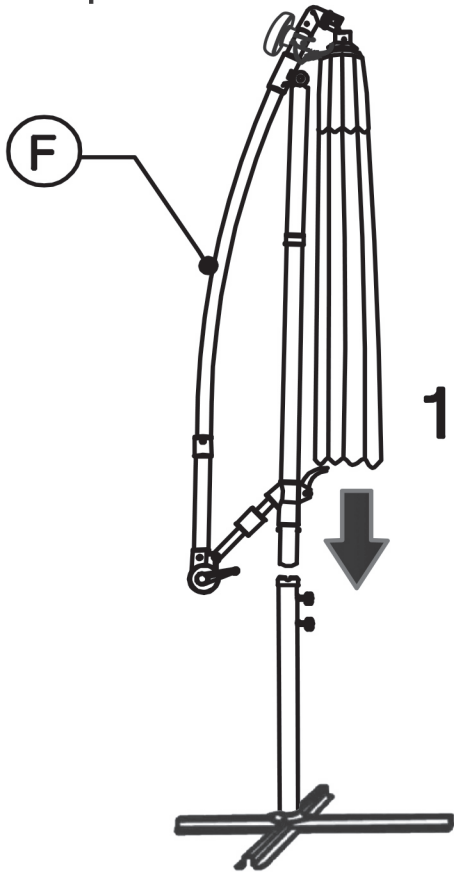
Step 3



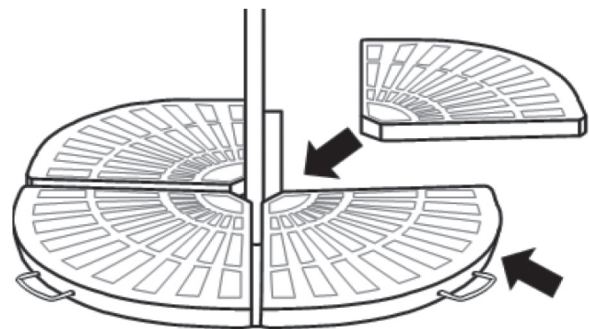
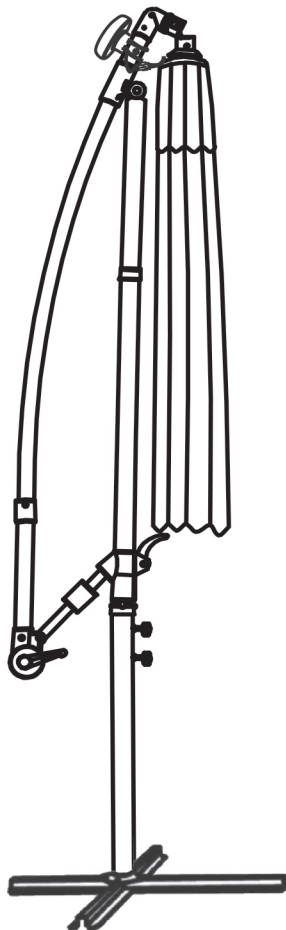
Connect the included Solar to the top support bar of the offset umbrella. This should twist and lock into place. Then connect the wiring before the next step.

Assemble the parasol canopy by attaching the parts highlighted above. Make sure the sprung nipples lock into place securely. You may need to turn the crank handle to tighten the cord so it does not become trapped.

Step 5

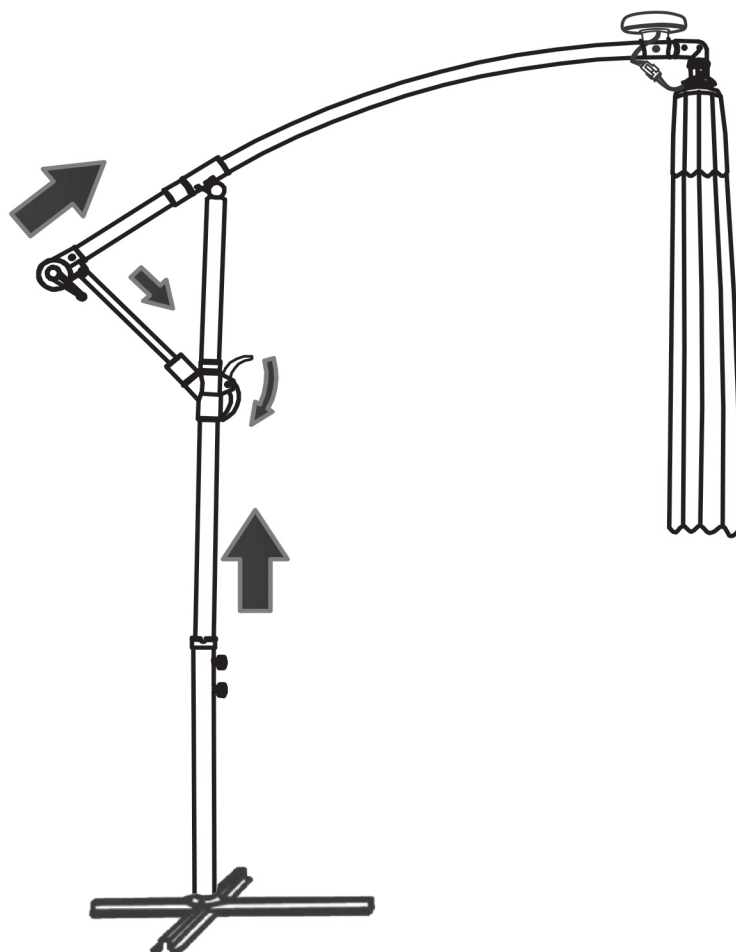


Step 6

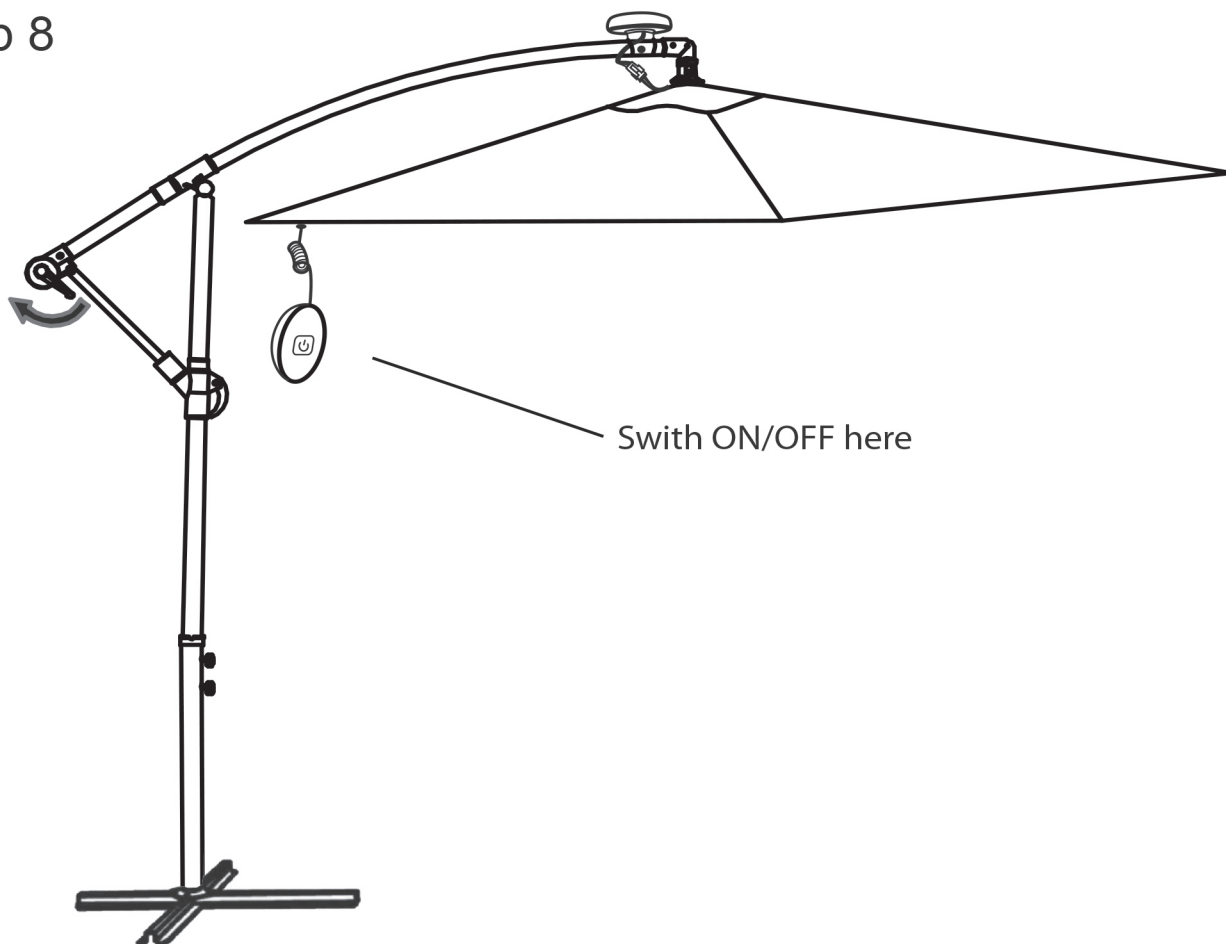


We recommend the use of 4 x parasol base weights for added stability (sold separately)

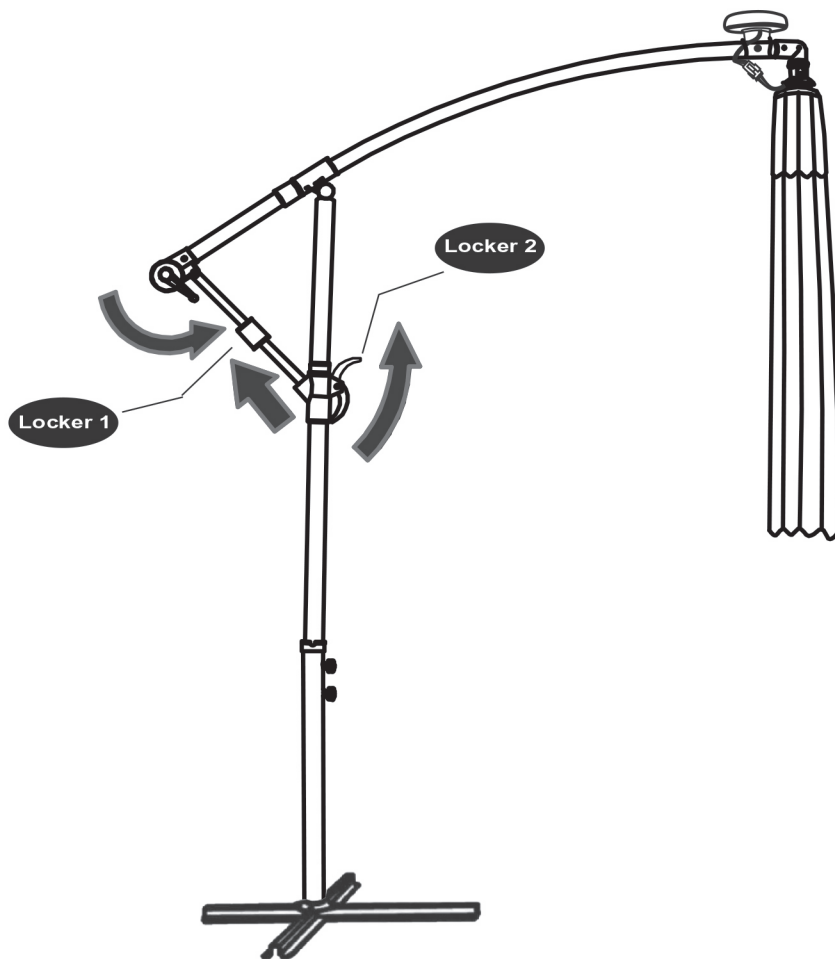
Step 7



Step 8

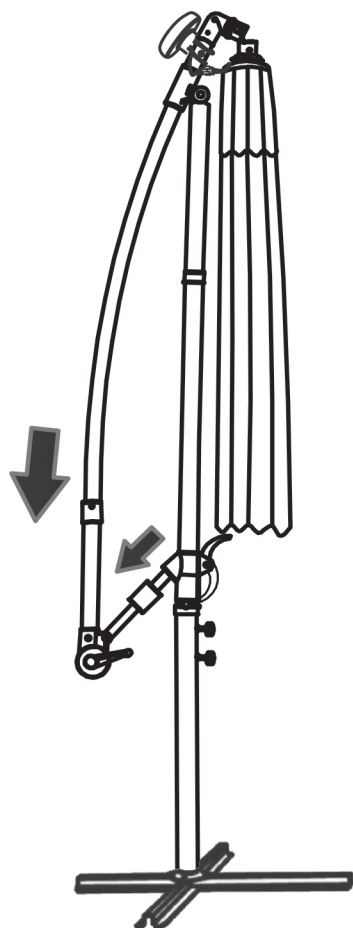


Step 9



- Make sure to unfasten the two lockers before you pull down the parasol canopy

Step 10



Cleaning & Maintenance

 DO NOT USE BLEACH

 DO NOT USE A PRESSURE WASHER

BASIC CARE

All fabrics will eventually fade from sun exposure. However, it is possible to maintain an umbrella's color for years to come by covering it with an umbrella cover or storing it indoors when not in use.

Do not use bleach, acid, solvents or abrasive cleaners on this product.

Before putting into storage or covering, ensure the entire unit is clean and fully dry. Moisture may cause mold and mildew growth on the canopy fabric and may cause the frame to rust.

During adverse weather conditions, or the winter, store your offset umbrella inside under a suitable cover.

METAL FRAME

Wipe the frame down using a soft cloth, warm water and mild soap; rinse thoroughly and dry.

If the painted finish should become chipped or scratched exposing bare metal, clean the surface thoroughly and treat with a touch-up paint.

Periodically use a suitable lubricant or water displacer on bolts and joints and check the frame for water build-up and empty if present.

Periodically check the tightness of any bolts or fixings — re-tighten hardware as required.

CANOPY FABRIC

Brush or vacuum loose dust, dirt and debris from the canopy. To clean the fabric, use a weak solution of warm water and washing powder or laundry detergent. Rinse fabric thoroughly and allow to air dry thoroughly. Always test cleaning solutions on a small area first to ensure suitability. Do not use bleach, acid, solvents or abrasive cleaners on the fabric.

SOLAR PANEL

Clean solar panels will absorb more sunlight. Wipe the panel down with a damp cloth and dry with a soft cloth.

Troubleshooting

Canopy will not open?

Inspect the ribs beneath the canopy as they may be crossed. Carefully, and gently uncross the ribs and the canopy should open as intended by turning the crank.

Umbrella seems unstable?


The base of the umbrella must be weighted down at all times. Using the umbrella without weights can result in serious injury and/or property damage.

Lights do not turn on at night?

1. Check the solar panel to make sure the switch is turned to the 'ON' position, and the power switch under the canopy is turned to the 'ON' position.
2. Check the rechargeable battery and make sure that it is well contacted to the metal plate. The battery may need replacing; only use compatible rechargeable batteries; alternatives may be incompatible, which may damage the system and will void the product warranty.
3. Be sure the solar panel is not receiving too much ambient light from sources such as exterior lights.

Lights only work for a short time?

1. Check the location of the solar panel; make sure it is in a sunny area that does not become shaded during the day. The batteries will only charge during the daytime.
2. Try a 'Boost Charge':
 - Turn the power 'ON' and let it charge in full, direct sunlight for at least 8 hours.
 - Turn the power 'OFF' at night to conserve the battery.
 - Repeat this process for 2-3 days. If the unit still does not work, the battery may need replacing.

 This product uses a rechargeable battery. When the battery can no longer be used, it should be removed from the unit and recycled. The battery must not be incinerated or composted. Recycle the battery in accordance with local laws and regulations.

Any modification to the product or failure to follow recommended care will void the product warranty.

WARNING!

Manufacturer and seller expressly disclaim any and all liability from personal injury, property damage or loss, whether direct or indirect, or incidental, resulting from the incorrect attachment, improper use, inadequate maintenance, or neglect of this product.