


Thank you for choosing Sunnydaze Decor. We stand behind our brand and the quality of the items we sell. Replacement parts or products will be sent at our discretion within the 1-year warranty period. Proof of purchase, with the date of purchase as well as photos of the merchandise defect, must be provided. Photos are used to determine the cause of defects and for future quality control. Register your warranty at <https://tiny.cc/SunnydazeWarranty>. If you have any questions, comments or concerns, feel free to contact us by phone at 833-982-1977, by email: customerservice@sunnydazedecor.com, or via our contact us page at <https://tiny.cc/SunnydazeContact>

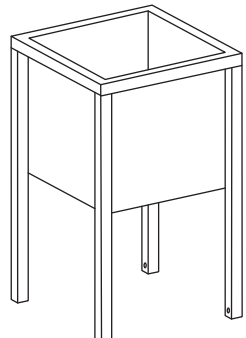
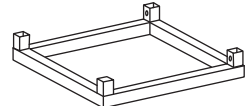


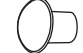
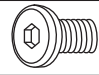
MODERN SIMPLICITY ELEVATED PLANTER SET


Review all assembly and care information before using this product. Save this manual for future reference.
Assemble components on a soft, clean surface to avoid damaging the finish.



Inspect packaging to ensure all parts are accounted for before disposing of packing materials.
Save the packing slip.



No.	HARDWARE	QTY.
A	 Planter Box	2
B	 Base	2
C	 Long Bar	8
E	 Protective Foot	8
F	 Plug	8
G	 M6x10mm Bolt	16

TOOLS REQUIRED (included)	
	Hex Key

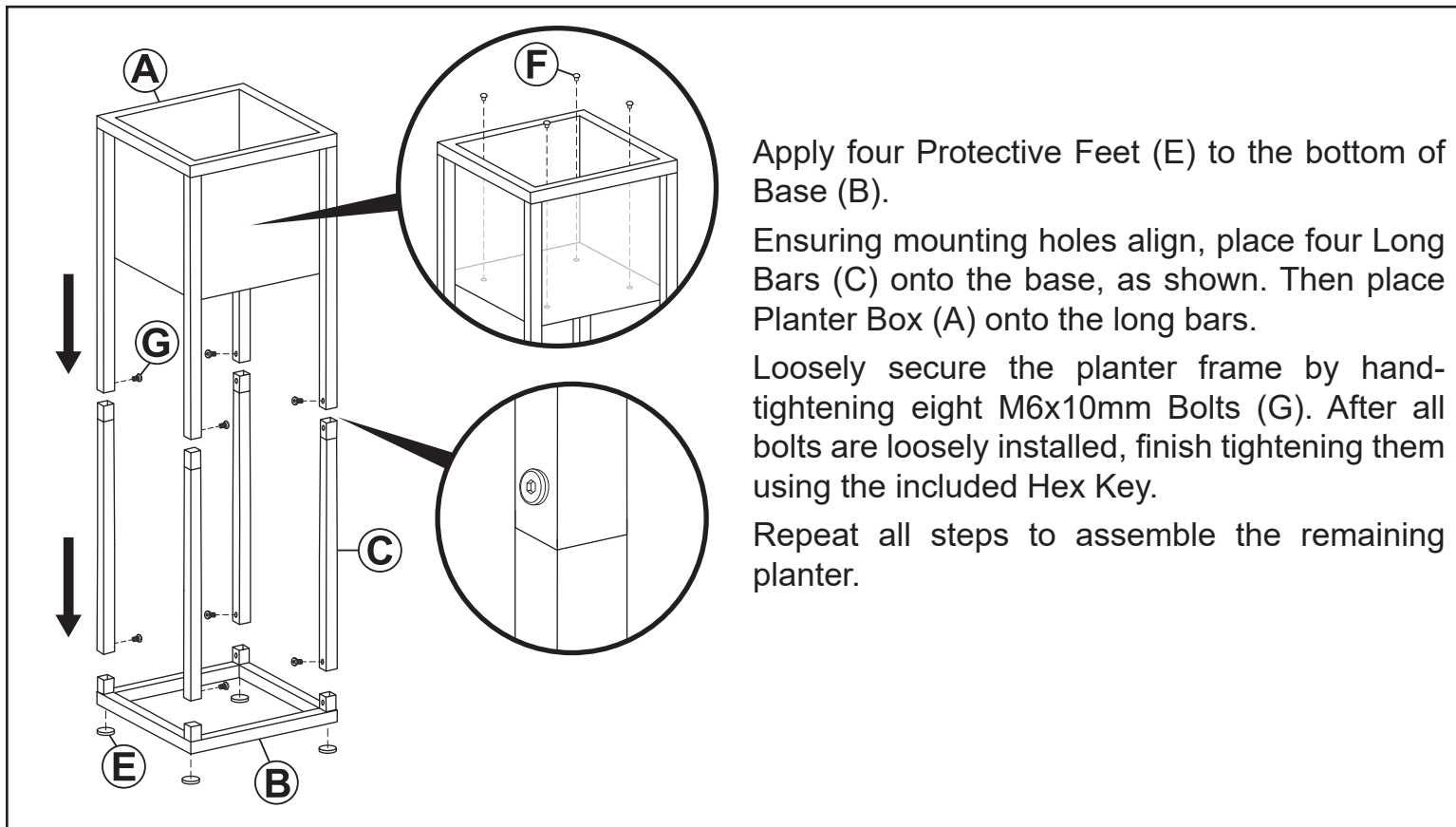
! WARNING !
CHOKING HAZARD — This item contains small parts that can be swallowed. Keep children and pets away during assembly.

! WARNING:
Manufacturer and seller expressly disclaim any and all liability from personal injury, property damage or loss, whether direct or indirect, or incidental, resulting from the incorrect attachment, improper use, inadequate maintenance, or neglect of this product.

ASSEMBLY

Review all steps and understand assembly before beginning.

Do not fully tighten hardware until all components have been loosely assembled.



Apply four Protective Feet (E) to the bottom of Base (B).

Ensuring mounting holes align, place four Long Bars (C) onto the base, as shown. Then place Planter Box (A) onto the long bars.

Loosely secure the planter frame by hand-tightening eight M6x10mm Bolts (G). After all bolts are loosely installed, finish tightening them using the included Hex Key.

Repeat all steps to assemble the remaining planter.

Care & Maintenance

LOCATION: Recommended for outdoor use. Only use on a flat, level surface. Be mindful of where the unit is placed, leaks and/or run-off from planters can damage surfaces.

FILLING: Lightweight potting soil is recommended for filling the planter.

MOVING: Lift beneath the side panels of the planter box. Do not drag the planter as doing so will damage the finish and could weaken assembly points.

CLEANING:

EXTERIOR: Wipe the exterior of the unit with a damp cloth.

PLANTER BOX (EMPTY): Mix 1 part distilled vinegar with 4 or 5 parts warm water. Use a soft cloth to wash the interior of the unit. Rinse thoroughly to ensure all residue has been removed.

EXPOSURE: Over time, sunlight and weather elements may degrade and change the color of this product. Exposure to moisture may also cause hardware to rust. Manufacturer is not liable for damage caused by exposure to weather elements.

Periodically check all bolts and tighten as necessary.

MAINTENANCE: During winter & freezing temperatures, move unit to a dry, indoor location. Cover unit to prevent dust build-up.

SCRATCHES: The powder coating is tough and durable but, even under normal use, some scratching is inevitable. Scratches can be repaired with rust-resistant paint (not included).

WARNING: THE ONE-YEAR WARRANTY DOES NOT COVER DAMAGES OR DEFECTS CAUSED BY THE APPLICATION OF CHEMICAL TREATMENTS, PROTECTIVE COATINGS, TOUCH-UP PAINT, OR CLEANING PRODUCTS.

SAFETY STATEMENTS & WARNINGS

- Recommended for outdoor use. Manufacturer is not liable for damage caused by using this product indoors.
- Ensure all fittings are tight before use. Periodically check fittings to ensure they remain tight.
- Only use this unit on a flat, level surface.
- Do not exceed the capacity of the unit.
- Never stand or climb on the unit.
- Never use chemical cleaning products or polishes as doing so may damage the finish.

Any modification to the product or failure to follow recommended care will void the product warranty.

If you experience issues with assembly or the product was damaged during shipping, please contact our customer service team through one of the methods mentioned at the top of page 1. Please have the item number and order information ready to expedite response time.

WARNING:

Manufacturer and seller expressly disclaim any and all liability from personal injury, property damage or loss, whether direct or indirect, or incidental, resulting from the incorrect attachment, improper use, inadequate maintenance, or neglect of this product.