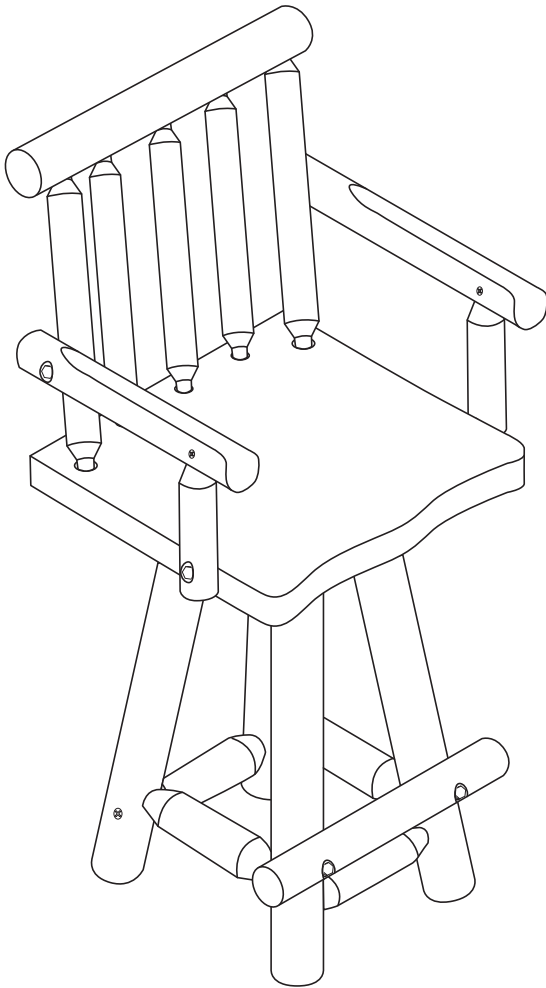
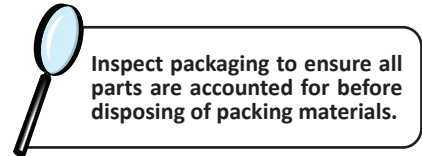


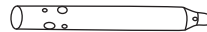


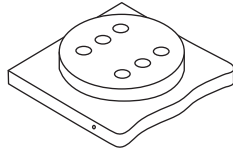
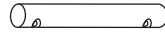
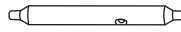
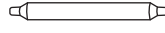

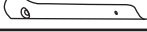

# RUSTIC LOG CABIN UNFINISHED FIR WOOD BAR STOOL DSL-650





Review all assembly and care information before using this product. Save this manual for future reference.  
**Assemble components on a soft, clean surface to avoid damaging the finish.**



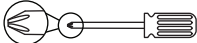


**SCAN THIS CODE  
 WITH YOUR  
 SMARTPHONE  
 TO VIEW OUR  
 ASSEMBLY VIDEO**



No.	PARTS		QTY.
AB		Back Leg (L/R)	2
AF		Front Leg (L/R)	2
B		Stretcher	4
C		Seat	1
D		Footrest	1
E		Outer Back Rail (L/R)	2
F		Inner Back Rail	3
G		Backrest Rail	1
H		Armrest (L/R)	2
I		Armrest Support (L/R)	2

No.	HARDWARE		QTY.
1		M7x80mm Screw	4
2		M3x35mm Screw	27
3		M7x100mm Bolt Set	2
4		M3x60mm Screw	4

**NOTE:** Wood is a natural product. Checking (splits in the wood) is a normal feature of wooden products. Checking is part of what gives wood decor an authentic appearance.

TOOLS REQUIRED (not included)	
	Phillips Screwdriver
	13mm Socket Wrench
	14mm Socket Wrench

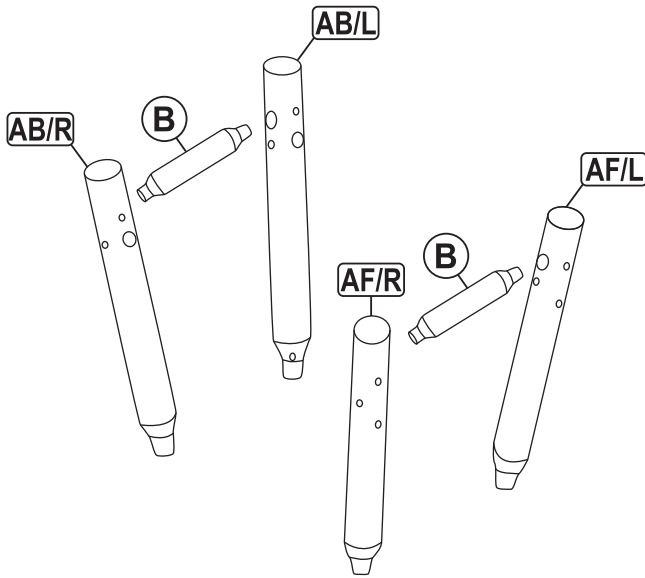
**! WARNING !**

**CHOKING HAZARD** — This item contains small parts that can be swallowed. Keep children and pets away during assembly.

# ASSEMBLY

**STEP 1** **IMPORTANT:** Ensure the large mounting holes face inward. The front legs have an additional small mounting hole on the front for footrest installation.

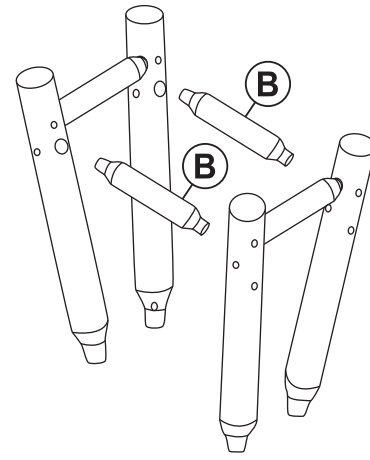
AB: 2  
AF: 2  
B: 2



Firmly insert two Stretchers (B) between Front Legs (AF) and Back Legs (AB), as shown.

**STEP 2**

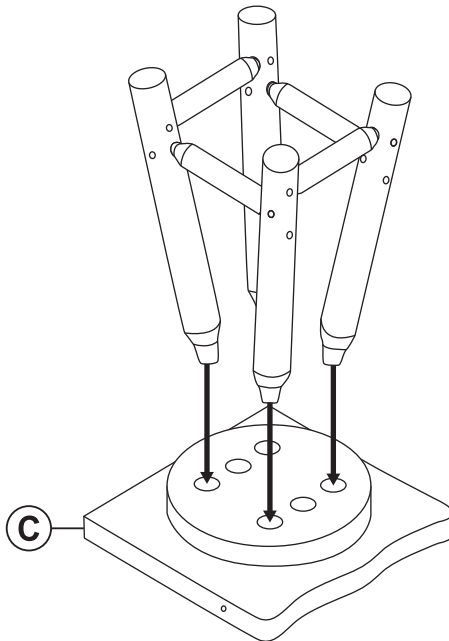
B: 2



Firmly insert the remaining two Stretchers (B) between the front and back leg sets, as shown.

**STEP 3** **IMPORTANT:** Ensure the front legs are installed facing the same direction as the front of the seat.

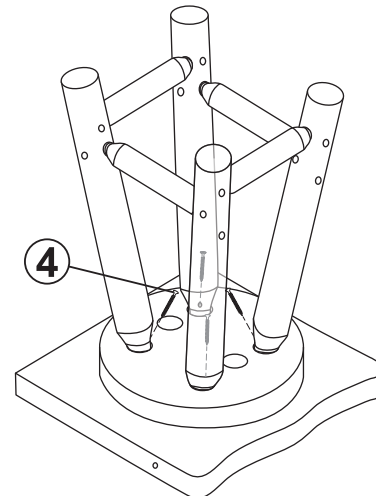
C: 1



Insert the legs into the underside of Seat (C).

**STEP 4**

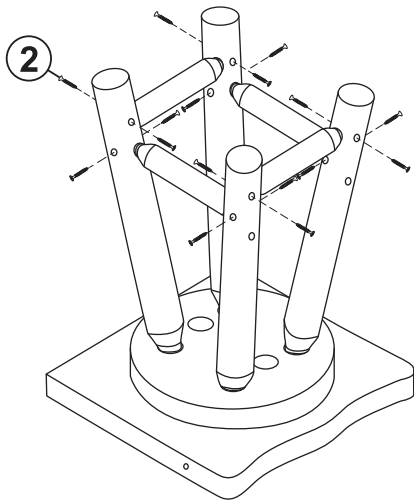
4: 4



Ensuring the legs are fully inserted into the seat, secure the legs to the seat using four M3x60mm Screws (4).

## STEP 5

2: 16

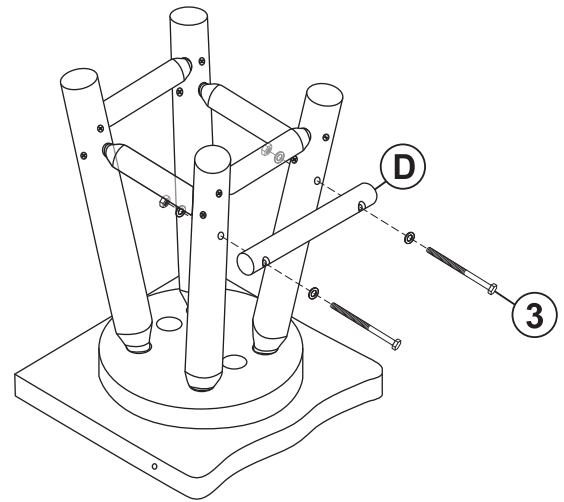


Ensuring the stretcher is fully inserted into the leg, secure each leg to the stretcher using four M3x35mm Screws (2).

## STEP 6

D: 1

3: 2



Fasten Footrest (D) to the front legs using two M7x100mm Bolt Sets (3).

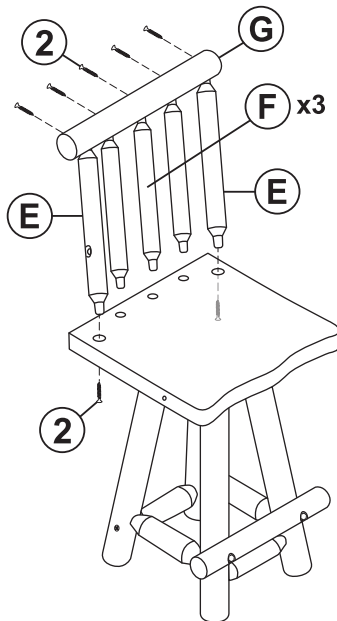
## STEP 7 **IMPORTANT:** The mounting hole on the outer back rails must align with the side of the seat.

E: 2

F: 3

G: 1

2: 7



Place two Outer Back Rails (E) into the outside holes on the back of the seat and three Inner Back Rails (F) into the middle holes in the back of the seat.

Place Backrest Rail (G) onto the back rails and secure using five M3x35mm Screws (2).

Secure the underside of the seat to the outer rails using two M3x35mm Screws (2).

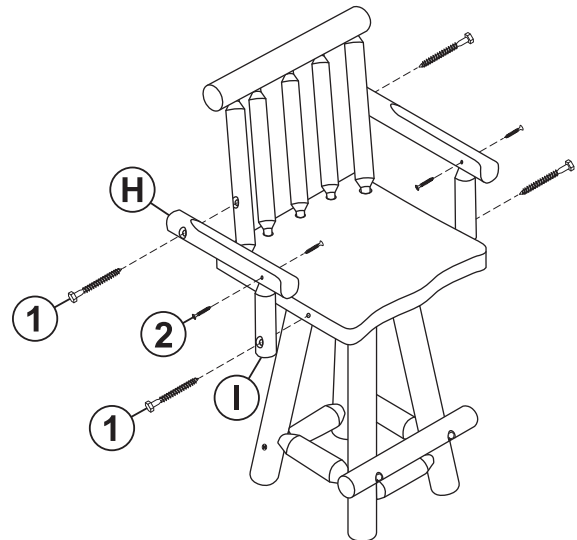
## STEP 8

H: 2

I: 2

1: 4

2: 4



Attach Armrest (H) to the back rail using one M7x80mm Screw (1).

Firmly insert Armrest Support (I) into the underside of the armrest. Then secure the armrest support to the seat using one M7x80mm Screw (1).

Secure the armrest to the support using two M3x35mm Screws (2).

Repeat on the opposite side of the chair.

Check all hardware to ensure it is securely fastened.

# Care & Maintenance

**SAFE USE:** Only use on a flat, level surface. Do not stand or climb on any part of this unit.

**INSPECT:** Periodically check hardware and tighten as necessary.

**MOVING:** Do not drag when moving the unit, as doing so will weaken assembly points and could cause breakage.

**CLEANING:** Follow the woodgrain with a soft cloth to remove dust, dirt, and debris. Do not use chemicals or abrasive materials as they will damage the wood.

**CARE & STORAGE:** Maintain the appearance and prevent damage by storing this item indoors when not in use.

Wood expands when wet and contracts when it dries. Therefore, repeated and excessive exposure to moisture, rain, and snow can damage the product. The resulting damage includes, but is not limited to, assembly points becoming loose, wood cracking, mold and mildew growth, and hardware rust.

**MAINTENANCE:** If left untreated, the wood may weather. To maintain the appearance, apply a suitable penetrating wood oil (not included). Reapply wood oil yearly or when the wood looks particularly dry.

Before applying wood oil, clean the unit and bring it into a dry, warm, indoor location. Allow the unit to dry thoroughly before applying oil; drying may take several days. Only apply oil to wooden surfaces. Apply oil as directed by the wood oil manufacturer.

**WARNING:** THE ONE-YEAR WARRANTY DOES NOT COVER DAMAGES OR DEFECTS CAUSED BY THE APPLICATION OF CHEMICAL TREATMENTS, PROTECTIVE COATINGS, TOUCH-UP PAINT, OR CLEANING PRODUCTS.

## SAFETY STATEMENTS & WARNINGS

- Do not exceed the weight capacity.
- Do not put hot items on or near furniture.
- Keep furniture a safe distance from heat sources such as fire pits, patio heaters, and grills.
- Do not allow children to use this product without adult supervision.
- Do not use harsh chemicals or abrasive materials to clean the furniture.
- Do not use a pressure washer to clean the furniture.

**Any modification to the product or failure to follow recommended care will void the product warranty.**

*If you experience issues with assembly or the product was damaged during transit, please contact our customer service team through one of the methods mentioned at the top of page 1.*

*Please have the item number and order information ready to expedite response time.*

## **WARNING:**

**Manufacturer and seller expressly disclaim any and all liability from personal injury, property damage or loss, whether direct or indirect, or incidental, resulting from the incorrect attachment, improper use, inadequate maintenance, or neglect of this product.**